

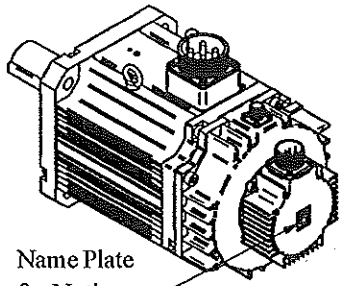
Model: JSMA-PIH55AAKB

No.	Item	Symbol	Unit	Specification	No.	Item	Symbol	Unit	Specification
1	Drive	-	-	3 ϕ 220 VAC	13	Rotor Inertia	Jm	kg-cm ²	80.31 \pm 10%
2	Cooling Method	-	-	Totally Enclosed	14	Rated Power Rate	Q-R	Kw/s	158.15
3	Exciting Method	-	-	Permanent Magnet	15	Resistance	Ra	Ω	0.129 \pm 10% / 2 ϕ
4	Resolution	-	-	17 bit, ABS	16	Inductance	L	mH	3.2 \pm 10% / 2 ϕ
5	Rated Output	P-R	W	5500	17	Mech. Time Constant	Tm	ms	1.0 \pm 10%
6	Rated Torque	T-R	N-m	35.1	18	Elect. Time Constant	Te	ms	24.81 \pm 10%
7	Max. Torque	T-max	N-m	87.75	19	Insulation Class	-	-	Class F
8	Rated Speed	N-R	rpm	1500	20	Operation Temp.	T	$^{\circ}$ C	0-40
9	Rated Current	I-R	A	29.5	21	Operation Humd.	RH	%	<80
10	Max. Current	I-max	A	73.8	22	Storage Temp.	T	$^{\circ}$ C	-20 \sim -60 $^{\circ}$
11	Torque Constant	Kt	N-m/A	1.19 \pm 10%	23	Storage Humd.	RH	%	<80
12	Voltage Constant	Ke	V/krpm	79 \pm 10%	24	Weight	W	kgw	31

PIN	Signal
B	+5V
I	0V
A	VB+
C	VB-
H	SD+
D	SD-
G	
E	
F	FG

Pin	Signal
A	U
B	V
C	W
D	FG

Pin	Signal
A	0
B	24V
C	



Motor Wiring

Brake Wiring

Name Plate for Notice

Encoder Wiring

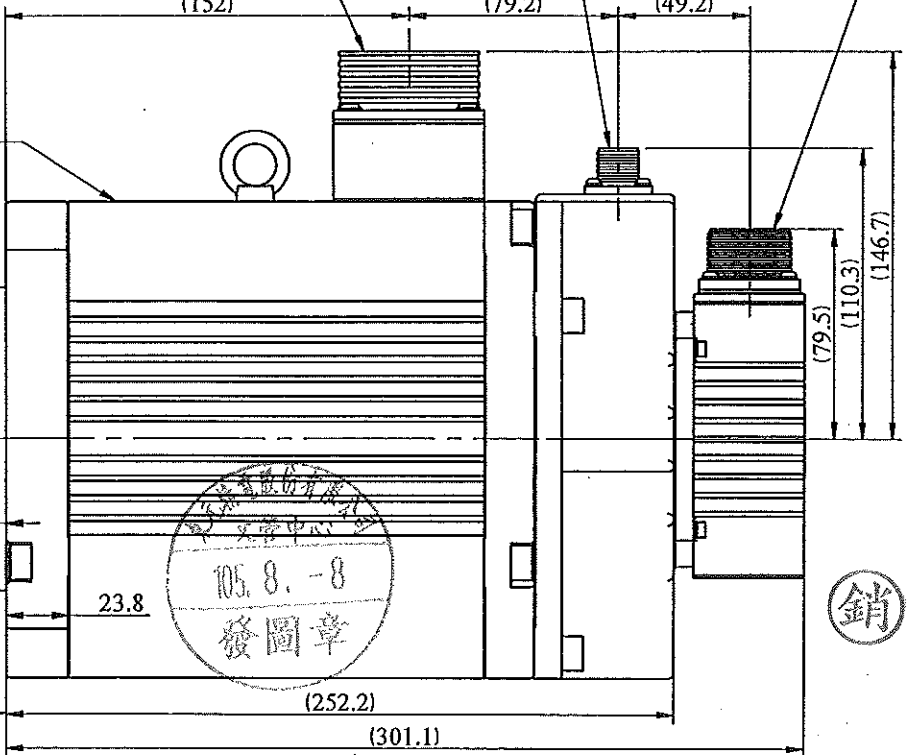
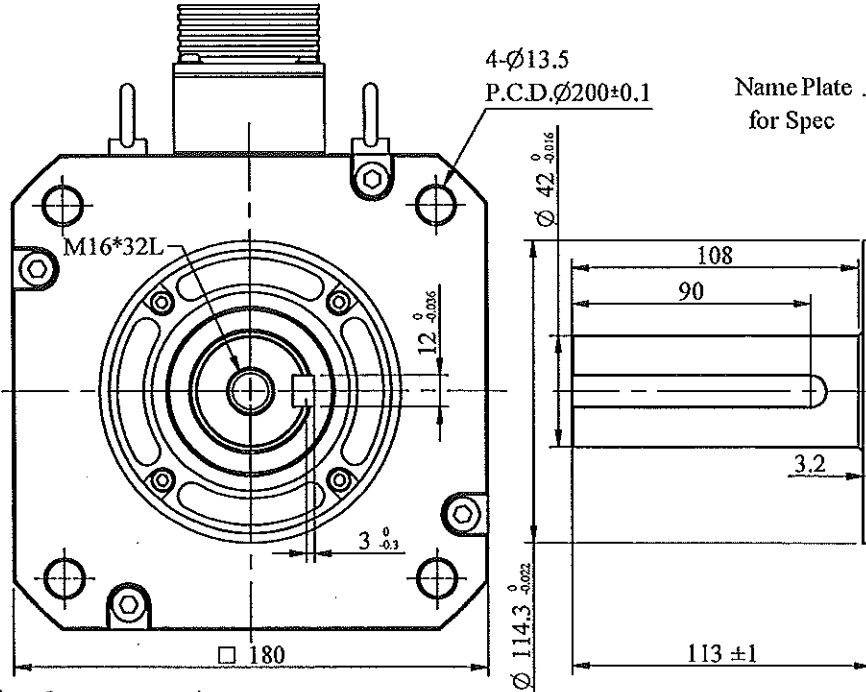
Military connector MS3102A32-17P Military connector MS3102A10SL-3P Military connector MS3102A20-18P

AC SERVO MOTOR
 Model: JSMA-PIH55AAKB
 Pr. 5.5 KW ; Nr. 1500 rpm
 Ir. 29.5 A , Tr. 35.1 N-m
 NO.
TECO ELECTRIC MACHINERY CO., LTD.
 MADE IN TAIWAN

Name Plate for Spec



Name Plate for Notice



NOTE:
 Motor to be IP67.
 (excluding the shaft opening & connectors)

STANDARD TOLERANCE		APVD	SCALE	UNIT	mm	NAME
X	\pm 0.5	Michelle	6-30-16			Servo Motor Outline Drawing
.X	\pm 0.2					JSMA-PIH55AAKB
.XX	\pm 0.05			3RD .A.P		
ANGLE	\pm 30'	DWN Chase	06-21-16			
MATERIAL	REV	DESCRIPTION	SIGNATURE	DATE	SIGNATURE	DATE



Dept. Design DWG. NO. D01B18552H3B3AD01